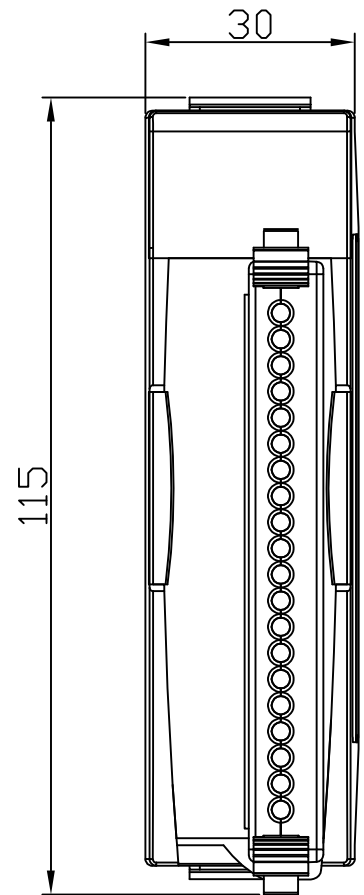
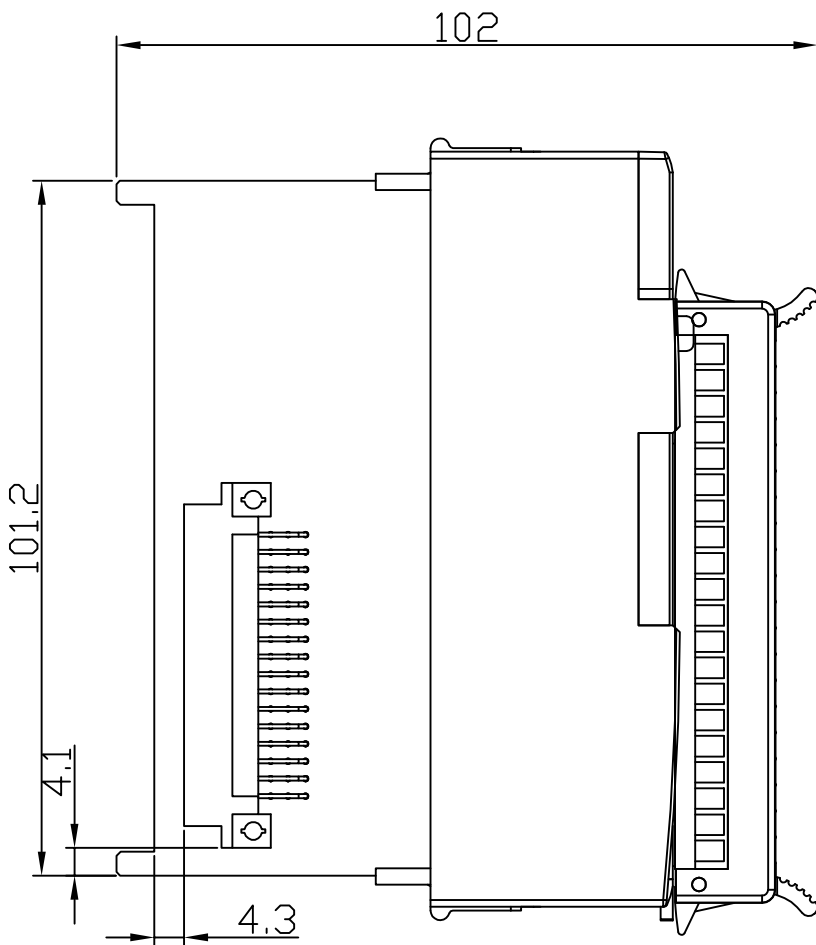
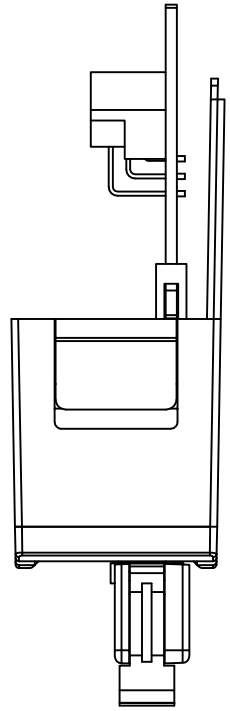
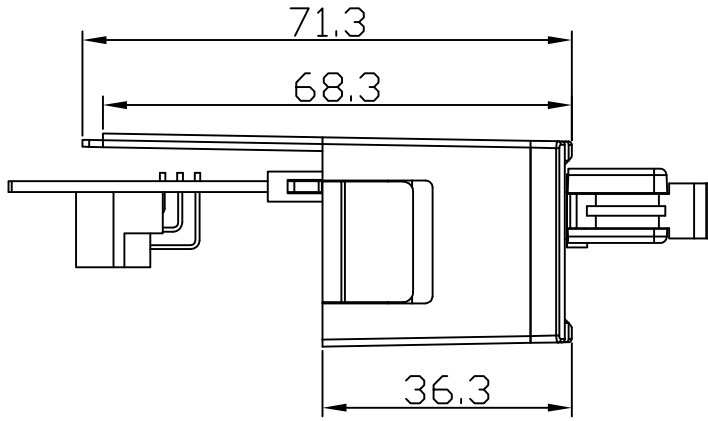


Unit: mm



High Profile